

PMD Series of DRO's



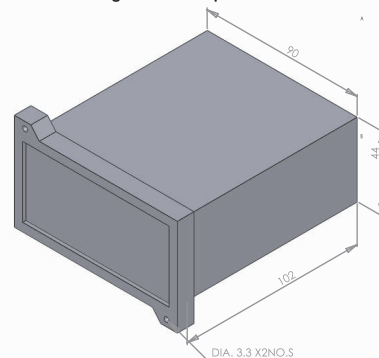
PMD1X / PMD RX



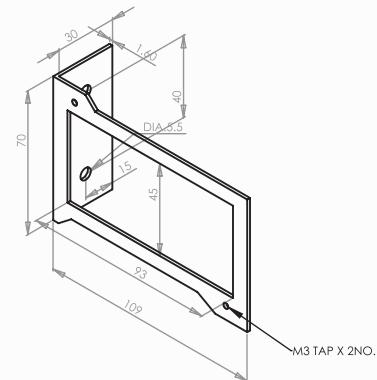
Features

- ◆ No of Axis : 1 Axis 2 Axis 3 Axis (Rotary)
- ◆ Metric/ Inch conversion
- ◆ INC/ABS
- ◆ Linear error compensation
- ◆ Absolute/incremental counting
- ◆ Non volatile memory backup
- ◆ Power saving mode
- ◆ Encoder direction select
- ◆ Display resolution 0.001mm,0.005mm,0.010mm,0.1mm
- ◆ Selectable encoder resolution 0.001mm, 0.005mm, 0.010mm, 0.1mm
- ◆ Center of circle & radius measurement
- ◆ Linear encoders supported LE 2534, LE 1820, LE 3043, ME 2910, ME 2920, ME 6012 Read heads & Scales
- ◆ Small size
- ◆ DEG/DMS for rotary axis
- ◆ 3rd Axis rotary in 3 axis model
- ◆ 1 Axis rotary model available (PMDRX)

PMD Dimension drawing for direct panel mount



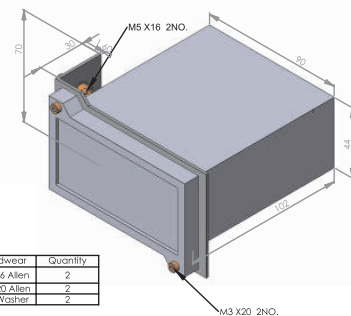
Optional bracket for side mounting



PMD3X/ PMD2X



Mounting drawing with side mounting bracket



Sr. no.	Hardware	Quantity
1	M5 x16 Allen	2
2	M3 x20 Allen	2
3	M5 Washer	2